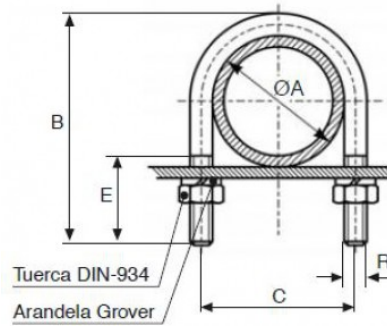
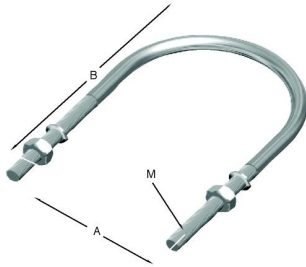


U-Bolts

Stainless steel U-bolts made of A-304 stainless steel with DIN-934 nuts and DIN-127 grover washer.



Technical information

| Código | Dimensiones | | | | | | |
|------------|-------------|-----|-----|-----|-----|----|-------|
| | DN | A | B | C | R | E | Peso |
| 180112002 | 3/8" | 18 | 50 | 24 | M6 | 35 | 0.025 |
| 180112003 | 1/2" | 22 | 53 | 28 | M6 | 35 | 0.027 |
| 180112004 | 3/4" | 28 | 59 | 34 | M6 | 35 | 0.031 |
| 180112005 | 1" | 34 | 65 | 40 | M6 | 35 | 0.034 |
| 1801120060 | Ø 38 | 39 | 70 | 42 | M6 | 35 | 0.037 |
| 180112006 | 1.1/4" | 43 | 74 | 49 | M6 | 35 | 0.039 |
| 180112007 | 1.1/2" | 49 | 85 | 57 | M8 | 40 | 0.08 |
| 1801120080 | Ø 54 | 54 | 97 | 62 | M8 | 40 | 0.091 |
| 180112008 | 2" | 61 | 99 | 70 | M8 | 40 | 0.094 |
| 1801120090 | Ø 65 | 66 | 99 | 73 | M8 | 40 | 0.095 |
| 1801120091 | Ø 70 | 71 | 102 | 78 | M8 | 40 | 0.098 |
| 180112009 | 2 1/2" | 77 | 113 | 83 | M8 | 40 | 0.109 |
| 1801120100 | Ø 84 | 85 | 117 | 94 | M8 | 40 | 0.113 |
| 180112010 | 3" | 90 | 126 | 98 | M8 | 40 | 0.122 |
| 1801120120 | Ø 104 | 105 | 149 | 114 | M10 | 40 | 0.224 |
| 180112012 | 4" | 115 | 155 | 125 | M10 | 40 | 0.235 |
| 1801120130 | Ø 129 | 130 | 177 | 140 | M10 | 40 | 0.259 |
| 180112013 | 5" | 144 | 184 | 154 | M10 | 40 | 0.281 |
| 1801120140 | Ø 154 | 155 | 194 | 164 | M10 | 40 | 0.297 |
| 180112014 | 6" | 170 | 210 | 180 | M10 | 40 | 0.323 |

| | | | | | | | |
|------------|-------|-----|-----|-----|-----|----|-------|
| 1801120150 | Ø 204 | 206 | 244 | 214 | M10 | 40 | 0.377 |
| 180112015 | 8" | 221 | 259 | 230 | M10 | 40 | 0.401 |
| 1801120160 | Ø 254 | 256 | 294 | 264 | M10 | 40 | 0.456 |
| 1801120161 | 10" | 275 | 313 | 314 | M10 | 40 | 0.487 |
| 1801120170 | Ø 304 | 306 | 344 | 364 | M10 | 50 | 0.536 |
| 1801120180 | Ø 354 | 356 | 407 | | M10 | 50 | 0.627 |
| | | | | | | | |