

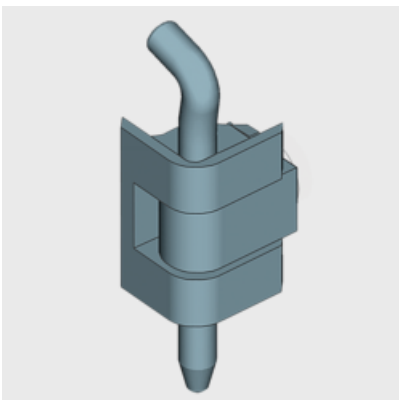
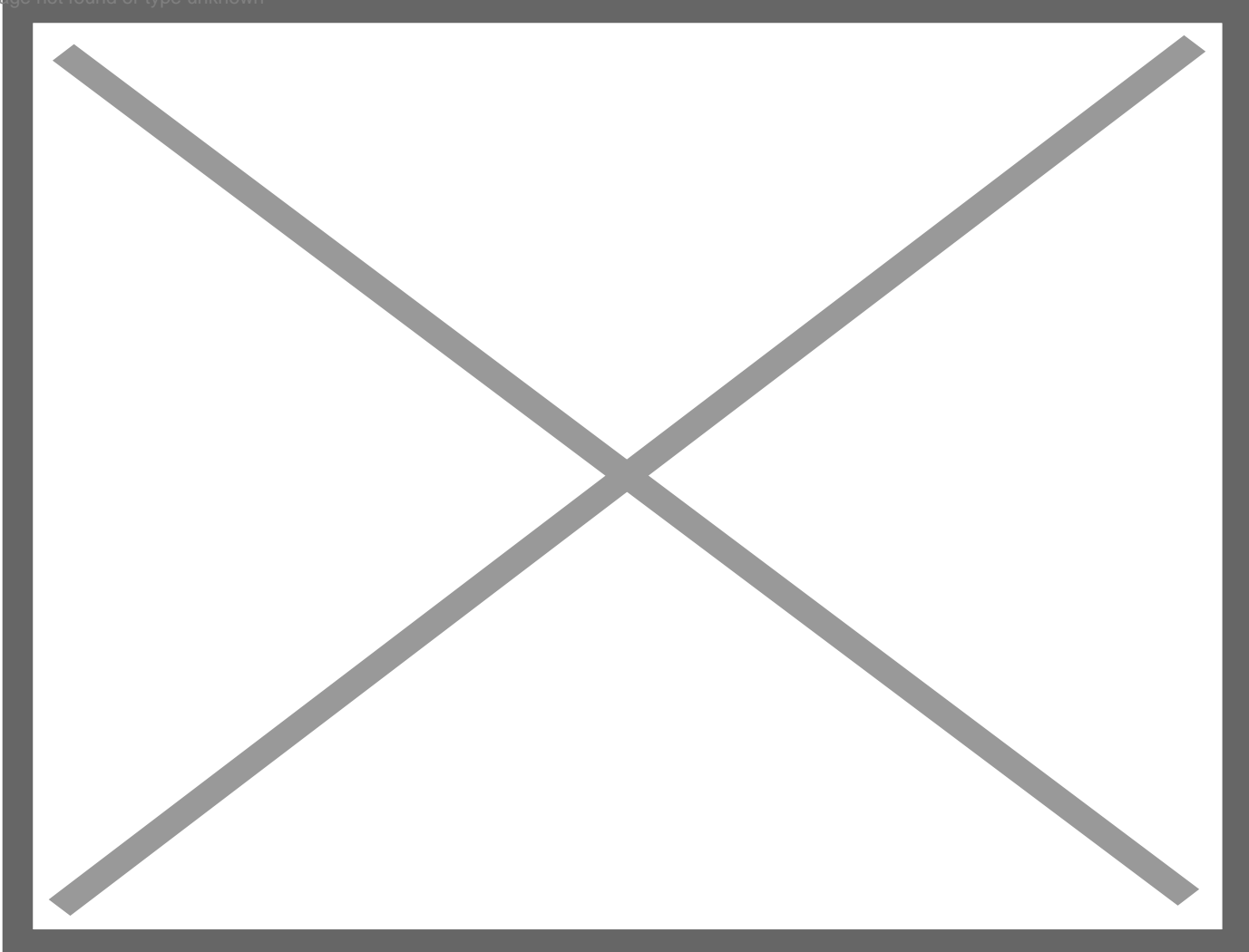
## Invisible 180° hinge in stainless steel Program 1033, 1110

180° stainless steel hinge for simple cabinets with 20 mm bend

Program 1110

[PDF catalog access](#)

Image not found or type unknown



## Technical information

<b>Bisagra 1.4571, Eje 1.4305</b>	
Ts = 0,8 - 1,0	1110-U51
1,5 - 2,0	1110-U50