

Four-way cross CT 203

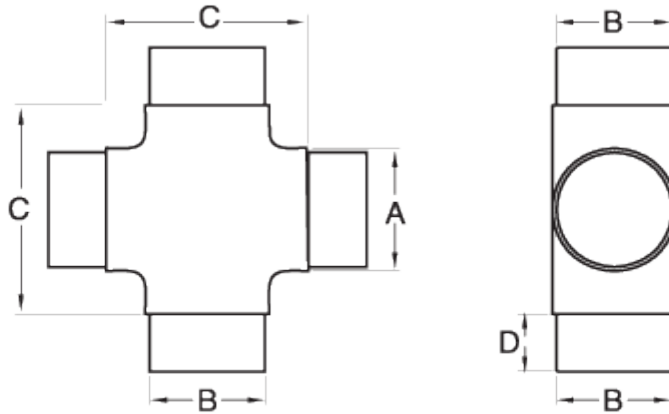
CROSS of FOUR EXITS

Material: Cast stainless steel.

Quality: AISI 316.

Finish: Gloss (see satin finish).

Description: Cross connector with threads at the ends that ensure a perfect fit for definitive fixation using adhesive (LOCTITE 638 recommended).



Technical information

Código	Descripción	A	B	C
1803184CT20343	CONECTOR CRUZ 316 CT-203 43	43	40	71

1803184CT20350

CONECTOR CRUZ 316 CT-203 50,8

50.8

47.8

69