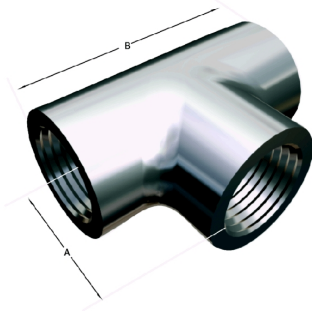


Equal Tee, Threaded, Female-Female (Fig.130)

Thread Type: Accessories are threaded with a size compatible with the ISO 7 / 1.

Finish: Polished and matte.

Quality: Manufactured in bar, tube or microfusion of AISI-316 stainless steel.



Technical information

Ø Nominal en pulgadas	D	Pulida			Mate		Peso kgs
		B	A	B	A		
1/4"	13.5	42	21	38	19	0.053	
3/8"	17.2	50	25	46	23	0.119	
1/2"	21.3	56	28	56	28	0.142	
3/4"	26.9	66	33	64	32	0.236	
1"	33.7	76	38	74	37	0.332	
1 1/4"	42.4	90	45	84	42	0.542	
1 1/2"	48.3	100	50	94	47	0.68	
2"	60.3	116	50	110	55	1.087	
2 1/2"	76.1	140	70	140	70	1.478	
3"	88.9	-	-	160	80	1.974	
4"	114.3	-	-	194	97	3.701	