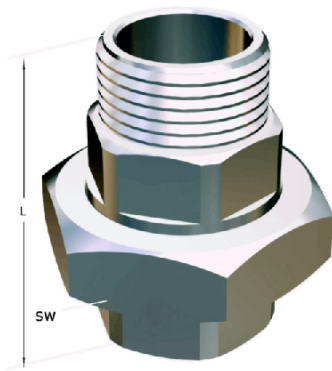


3-Piece Connection, Male-Female (Fig. 341)

Thread Type: Components are threaded with a size compatible with ISO7/1.

Finish: Polished and matte.

Quality: Manufactured in bar, tube or in a microfusion of AISI-316 stainless steel.



Technical information

Ø		Pulida		Mate		
Nominal Pulgadas	D	L	S Exago	L	S Exago	Peso kgs
1/4"	13.5	49	31	54	29	0.13
3/8"	17.2	53	36	58	34	0.184
1/2"	21.3	58	44	65	39	0.235
3/4"	26.9	62	49	70	47	0.377
1"	33.7	68	54	79	58	0.464
1 1/4"	42.4	75	67		89	0.772
1 1/2"	48.3	84	74.5	94	77	0.95
2"	60.3	95	90	106	90	1.373
2 1/2"	76.1	108	108	117	110	2.2
3"	88.9	108	122	130	130	2.648
4"	114.3	-	-	-	-	-