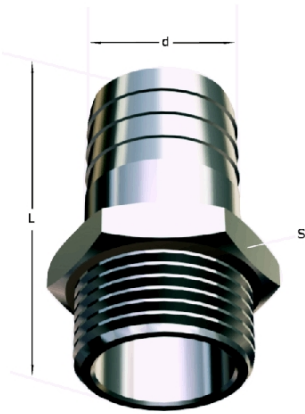


Hose Nipple (Fig. 399)

Thread type: The accessories are threaded with dimensions compatible with the ISO 7/1 standard.

Finishes: Polished

Quality: They are made of bar, tube or micro fusion of AISI-316 stainless steel.



Technical information

\emptyset		Pulida			
Nominal Pulgadas	D	L	d	S Exago	Peso kgs
1/4"	13.5	39	12	17	0.021
1/4"	13.5	39	10	17	0.02
3/8"	17.2	44	15	22	0.033
3/8"	17.2	44	12	22	0.03
1/2"	21.3	49	19	24	0.057
1/2"	21.3	49	15	24	0.06
3/4"	26.9	52	25	30	0.088
3/4"	26.9	52	20	30	0.09
1"	33.7	57	30	38	0.155
1"	33.7	57	25	38	0.16
1 1/4"	42.4	65	40	47	0.23
1 1/2"	48.3	72	50	54	0.4
2"	60.3	80	60	64	0.58
2 1/2"	76.1	96	76	84	-
3"	88.9	105	86	99	-

4"	114.3	-	-	-	-
----	-------	---	---	---	---