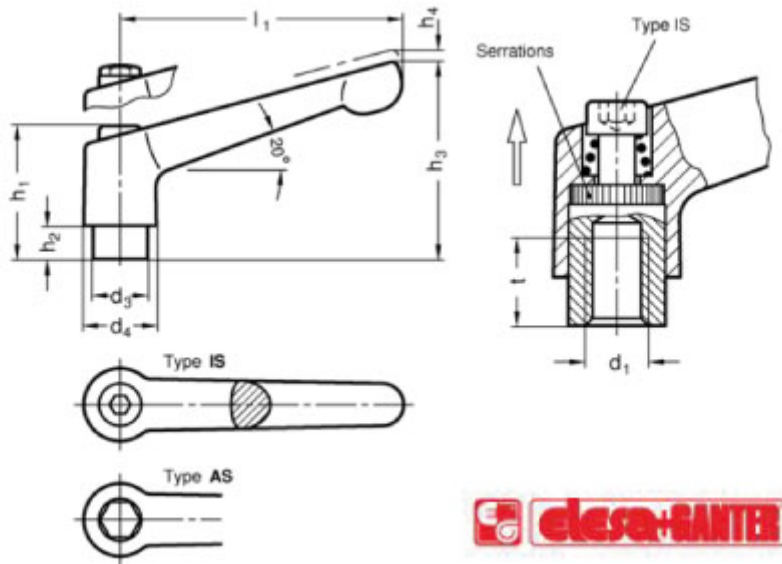


## Adjustable handles GN 300.5

### GN 300.5

Adjustable handles in stainless steel (lost wax casting) with a matte shot-peened finish. With a threaded hole and toothed element for coupling with the lever body. Stainless steel hinge and with a stainless steel return spring.

[Catalog access](#)



### Technical information

Código	Elementos estándar	Dimensiones principales							Agujero de montaje		Peso
	Descripción	l1	d3	d4	h1	h2	h3	h4	d1	t <sub>mín.</sub>	g
	GN 300.5-30-M3-AS	30	10	13	24.5	4	31	3.5	M3	7	27
	GN 300.5-30-M3-IS	30	10	13	24.5	4	31	3.5	M3	7	27
	GN 300.5-30-M4-AS	30	10	13	24.5	4	31	3.5	M4	9	27

	GN 300.5-30-M4-IS	30	10	13	24.5	4	31	3.5	M4	9	27
	GN 300.5-30-M5-AS	30	10	13	24.5	4	31	3.5	M5	9	26
	GN 300.5-30-M5-IS	30	10	13	24.5	4	31	3.5	M5	9	26
	GN 300.5-30-M6-AS	30	10	13	24.5	4	31	3.5	M6	9	25
	GN 300.5-30-M6-IS	30	10	13	24.5	4	31	3.5	M6	9	25
	GN 300.5-45-M4-AS	45	10	13	24.5	4	31	3.5	M4	9	35
	GN 300.5-45-M4-IS	45	10	13	24.5	4	31	3.5	M4	9	35
	GN 300.5-45-M5-AS	45	10	13	24.5	4	31	3.5	M5	9	40
	GN 300.5-45-M5-IS	45	10	13	24.5	4	31	3.5	M5	9	40
	GN 300.5-45-M6-AS	45	10	13	24.5	4	31	3.5	M6	9	39
	GN 300.5-45-M6-IS	45	10	13	24.5	4	31	3.5	M6	9	39
	GN 300.5-63-M6-AS	63	13.5	17.5	31	6.5	45	4	M6	11	90
	GN 300.5-63-M6-IS	63	13.5	17.5	31	6.5	45	4	M6	11	90
	GN 300.5-63-M8-AS	63	13.5	17.5	31	6.5	45	4	M8	11	88
	GN 300.5-63-M8-IS	63	13.5	17.5	31	6.5	45	4	M8	11	88
	GN 300.5-78-M8-AS	78	16	21	36	8	55	4	M8	14	147
	GN 300.5-78-M8-IS	78	16	21	36	8	55	4	M8	14	147
	GN 300.5-78-M10-AS	78	16	21	36	8	55	4	M10	14	143
	GN 300.5-78-M10-IS	78	16	21	36	8	55	4	M10	14	143
	GN 300.5-92-M10-AS	92	19	24	43	11	63	4	M10	17	187
	GN 300.5-92-M10-IS	92	19	24	43	11	63	4	M10	17	187
	GN 300.5-92-M12-AS	92	19	24	43	11	63	4	M12	17	178
	GN 300.5-92-M12-IS	92	19	24	43	11	63	4	M12	17	178