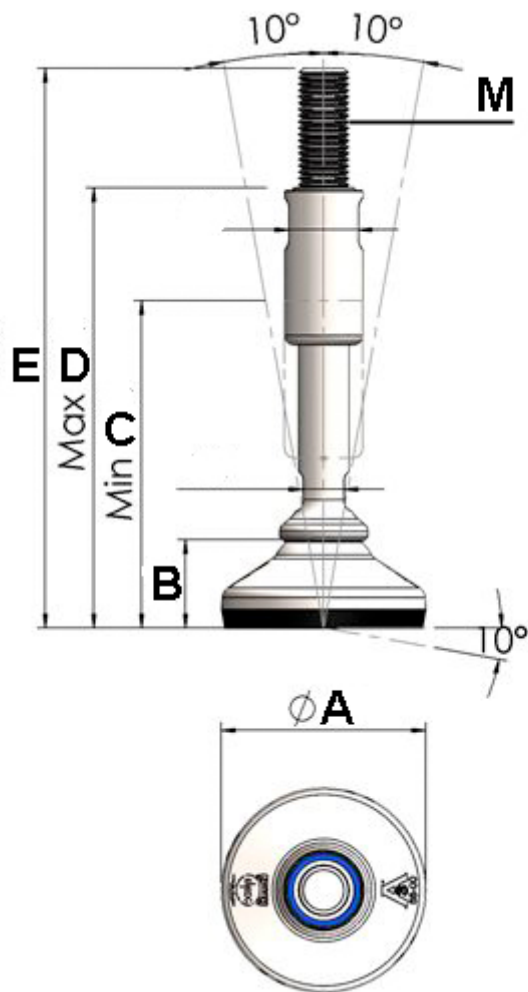


XH type feet

The design of the bases are patented and any of the movable elements are 100% hygienic.

This is the reason why XH bases are approved for use in equipment and machinery and equipment used in manufacturing manufacturing in the dairy, meat and pharmacy sectors. It is recommended to use bases. XH in places where the cleaning requirement is very high. The detail of the XH reduces the period needed for cleaning to a minimum. The cover surrounds the thread of the stud and acts as a nut at the same time. It manages to reach up to 10° unevenness on the ground and machines. The anagram of EHEDG and 3A is visible on the XH bases.





Technical information

ESPECIFICACIONES TECNICAS								
DIAMETRO BASE	ROSCA METRICA	ALTURA BASE	LONGITUD MINIMA	LONGITUD MAXIMA	LONGITUD ROSCA	LONGITUD TOTAL	CARGA NOMINAL	REFERENCIA
A	M	B	C	D		E	N	
65	16	28	104	140	150	178	9000	XH065- XH16150- RHOX1650
65	16	28			210	238	9000	XH065- XH16210- RHOX1680
65	20	28	104	140	150	178	9000	XH065- XH20150- RHOX2050
65	20	28			210	238	9000	XH065- XH20210- RHOX2080
65	24	28	104	140	150	178	9000	XH065- XH24150- RHOX2450
65	24	28			210	238	9000	XH065- XH24210- RHOX2480
65	30	28	104	140	150	178	9000	XH065- XH30150- RHOX3050
65	30	28			210	238	9000	XH065- XH30210- RHOX3080
65	36	28	104	140	150	178	9000	XH065- XH36150- RHOX3650
65	36	28			210	238	9000	XH065- XH36210- RHOX3680

80	16	33	109	145	150	183	15000	XH080- XH16150- RHOX1650
80	16	33			210	243	15000	XH080- XH16210- RHOX1680
80	20	33	109	145	150	183	15000	XH080- XH20150- RHOX2050
80	20	33			210	243	15000	XH080- XH20210- RHOX2080
80	24	33	109	145	150	183	15000	XH080- XH24150- RHOX2450
80	24	33			210	243	15000	XH080- XH24210- RHOX2480
80	30	33	109	145	150	183	15000	XH080- XH30150- RHOX3050
80	30	33			210	243	15000	XH080- XH30210- RHOX3080
80	36	33	109	145	150	183	15000	XH080- XH36150- RHOX3650
80	36	33			210	243	15000	XH080- XH36210- RHOX3680
105	16	34	110	146	150	184	22000	XH105- XH16150- RHOX1650
105	16	34	140	206	210	244	22000	XH105- XH16210- RHOX1680
105	20	34	110	146	150	184	22000	XH105- XH20150- RHOX2050
105	20	34	140	206	210	244	22000	XH105- XH20210- RHOX2080
105	24	34	110	146	150	184	22000	XH105- XH24150- RHOX2450
105	24	34	140	206	210	244	22000	XH105- XH24210- RHOX2480
105	30	34	110	146	150	184	22000	XH105- XH30150- RHOX3050
105	30	34	140	206	210	244	22000	XH105- XH30210- RHOX3080

105	36	34	110	146	150	184	22000	XH105- XH36150- RHOX3650
105	36	34	140	206	210	244	22000	XH105- XH36210- RHOX3680
125	16	36	110	146	150	184	30800	XH125- XH16150- RHOX1650
125	16	36	140	206	210	244	24900	XH125- XH16210- RHOX1680
125	20	36	110	146	150	184	32000	XH125- XH20150- RHOX2050
125	20	36	140	206	210	244	32000	XH125- XH20210- RHOX2080
125	24	36	110	146	150	184	32000	XH125- XH24150- RHOX2450
125	24	36	140	206	210	244	32000	XH125- XH24210- RHOX2480
125	30	36	110	146	150	184	32000	XH125- XH30150- RHOX3050
125	30	36	140	206	210	244	32000	XH125- XH30210- RHOX3080
125	36	36	110	146	150	184	32000	XH125- XH36150- RHOX3650
125	36	36	140	206	210	244	32000	XH125- XH36210- RHOX3680
150	16	36	112	145	150	186	30800	XH150- XH16150- RHOX1650
150	16	36	142	205	210	246	24900	XH150- XH16210- RHOX1680
150	20	36	112	145	150	186	48200	XH150- XH20150- RHOX2050
150	20	36	142	205	210	246	48200	XH150- XH20210- RHOX2080
150	24	36	112	145	150	186	69200	XH150- XH24150- RHOX2450
150	24	36	142	205	210	246	69200	XH150- XH24210- RHOX2480

150	30	36	112	145	150	186	70000	XH150- XH30150- RHOX3050
150	30	36	142	205	210	246	70000	XH150- XH30210- RHOX3080
150	36	36	112	145	150	186	70000	XH150- XH36150- RHOX3650
150	36	36	142	205	210	246	70000	XH150- XH36210- RHOX3680