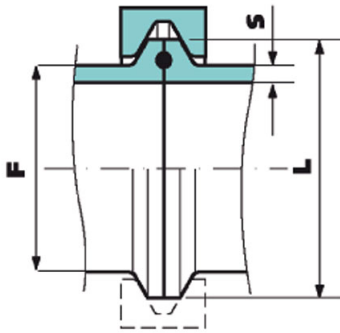


Clamp Norms Equivalence Table

Clamp Standards Equivalence Table created to define the correspondences in DN between the different standards used in the food industry:

- CLAMP "BS 4825" BWG/SWG Imperial Tube
- CLAMP "ISO 2852" ISO 1127 Tube
- CLAMP "DIN 32676" Tube _DIN-11850/1



Technical information

| | CLAMP "BS 4825" | | | | CLAMP "ISO 2852" | | | | CLAMP "DIN 32676" | | | |
|-----------|-----------------------|------------|-------------|-------------|------------------|------------|-------------|------------|-------------------|------------|-----------|------------|
| | Tubo BWG/SWG Imperial | | | | Tubo ISO 1127 | | | | Tubo _DIN-11850/1 | | | |
| Ø Corona | DN/Inch | L Ø Corona | F Ø Tubo | S Espesor | DN | L Ø Corona | F Ø Tubo | S Espesor | DN | L Ø Corona | F Ø Tubo | S Espesor |
| 25.1 | 1/2" | 25.1 | 12.7 | 1.65 | | | | | | | | |
| | 3/4" | 25.1 | 19.05 | 1.65 | | | | | | | | |
| 34 | | | | | 10 | 34 | 17.2 | 1.6 | 10 | 34 | 12 | 1.5 |
| | | | | | 15 | 34 | 21.3 | 1.6 | 15 | 34 | 18 | 1.5 |
| | | | | | | | | | 20 | 34 | 22 | 1.5 |
| 50.4 | 1" | 50.4 | 25.4 | 1.65 | 20 | 50.4 | 26.9 | 1.6 | 25 | 50.4 | 28 | 1.5 |
| | 1 1/2" | 50.4 | 38.1 | 1.65 | 25 | 50.4 | 33.7 | 1.6 | 32 | 50.4 | 34 | 1.5 |
| | | | | | 32 | 50.4 | 42.4 | 1.6 | 40 | 50.4 | 40 | 1.5 |
| 64 | 2" | 64 | 50.8 | 1.65 | 40 | 64 | 48.3 | 1.6 | 50 | 64 | 52 | 1.5 |
| 77.4 | 2 1/2" | 77.4 | 63.5 | 1.65 | 50 | 77.4 | 60.3 | 2 | | | | |

