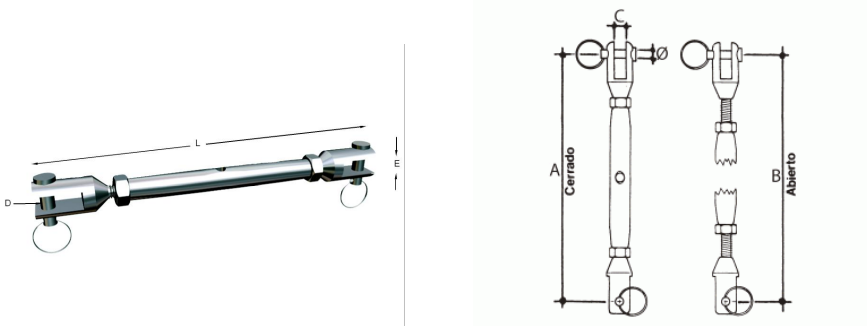


Tensioner with two forks in AISI-316 stainless steel

Tensioner with two forks in AISI-316 stainless steel



Technical information

Dimensiones					
Medida	Ø Cable	A	B	Ø	C
M 4	2	110	160	4	4
M 5	2.5	120	180	4	5
M 6	3	135	190	5	6
M 8	4	160	220	7	8
M 10	5	185	260	8	10
M 12	6_7	250	365	10	12
M 14	8	260	380	12	14
M 16	10	305	460	14	16
M 20	14	440	660	16	18