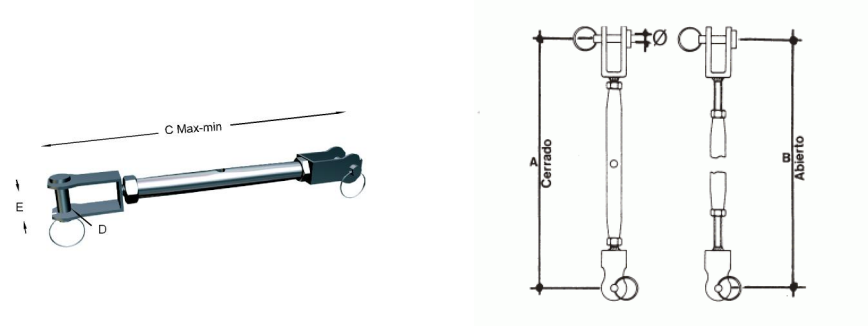


Tensioner with two welded forks

Tensioner with two welded forks



Technical information

Dimensiones					
Medida	Ø Cable	A	B	Ø	D
M 5	2.5	125	175	6	11
M 6	3	135	200	6	11
M 8	4	145	210	6	11
M 10	5	180	250	8	13
M 12	6_7	210	300	12	15