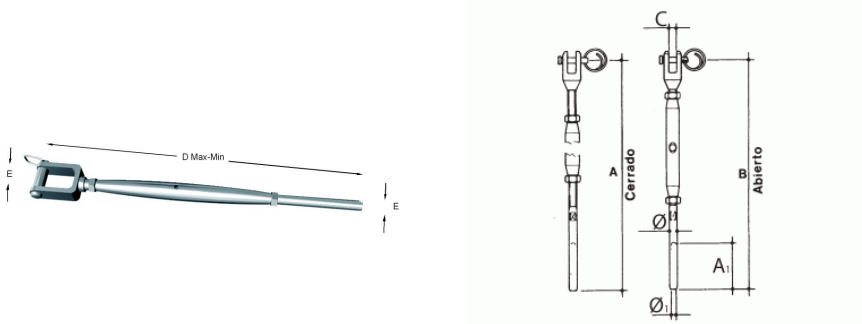


Tensioner with cylindrical pressure terminal

Tensioner with cylindrical pressure terminal



Technical information

Dimensiones							
Medida	Ø Cable	A	B	A1	Ø	Ø1	C
6	3	185	230	32	6	3.2	6
8	4	210	275	40	8	4.2	8
10	5	235	325	50	10	5.2	10
12	6	320	435	60	12	6.2	12
14	7	360	515	70	14	7.2	14
14	8	360	515	70	14	7.2	14
16	8	415	575	78	16	8.2	16
16	10	415	575	78	16	8.2	16