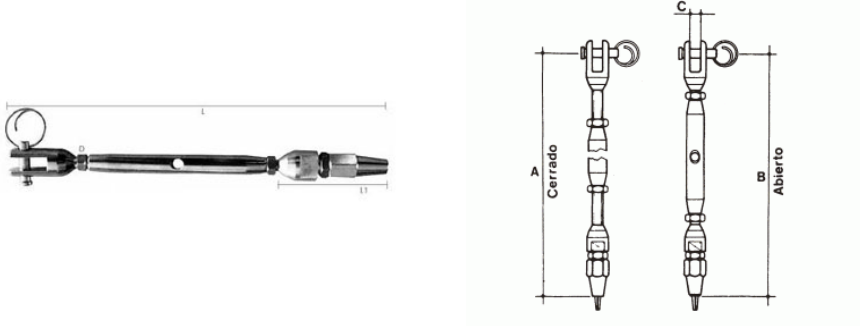


## Turnbuckle with quick terminal in AISI-316 stainless steel

Made of AISI316 stainless steel. The inner cone automatically locks the cable when inserted.



### Technical information

Dimensiones				
Medida	Ø Cable	A	B	C
6	3	165	220	6
8	4	185	250	8
10	5	220	295	10
12	6	290	390	12
14	7	300	410	14
16	8	350	500	16