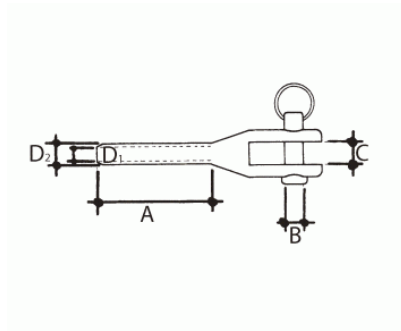
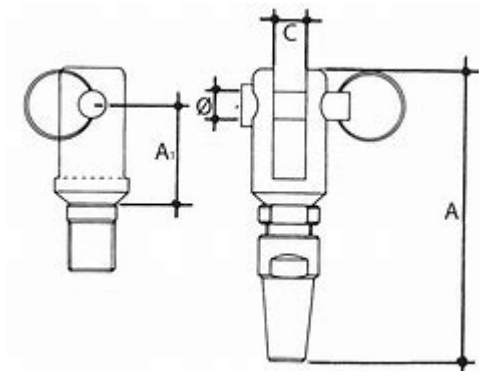


Terminal with fork in AISI-316 stainless steel



Technical information

| Dimensiones | | | | | | |
|--------------|------|------|-----|----|----|-------|
| Medida Cable | Ø1 | Ø2 | A | B | C | Peso |
| 3 | 3.2 | 6.3 | 40 | 5 | 6 | 0.03 |
| 4 | 4.2 | 7.5 | 50 | 6 | 8 | 0.048 |
| 5 | 5.2 | 9.1 | 60 | 8 | 10 | 0.084 |
| 6 | 6.2 | 12.5 | 70 | 9 | 12 | 0.179 |
| 7 | 7.2 | 14.3 | 80 | 9 | 12 | 0.178 |
| 8 | 8.2 | 16.1 | 100 | 9 | 12 | 0.21 |
| 10 | 10.5 | 17.8 | 110 | 10 | 14 | 0.33 |
| 12 | 12.5 | 21.4 | 140 | 11 | 16 | 0.4 |