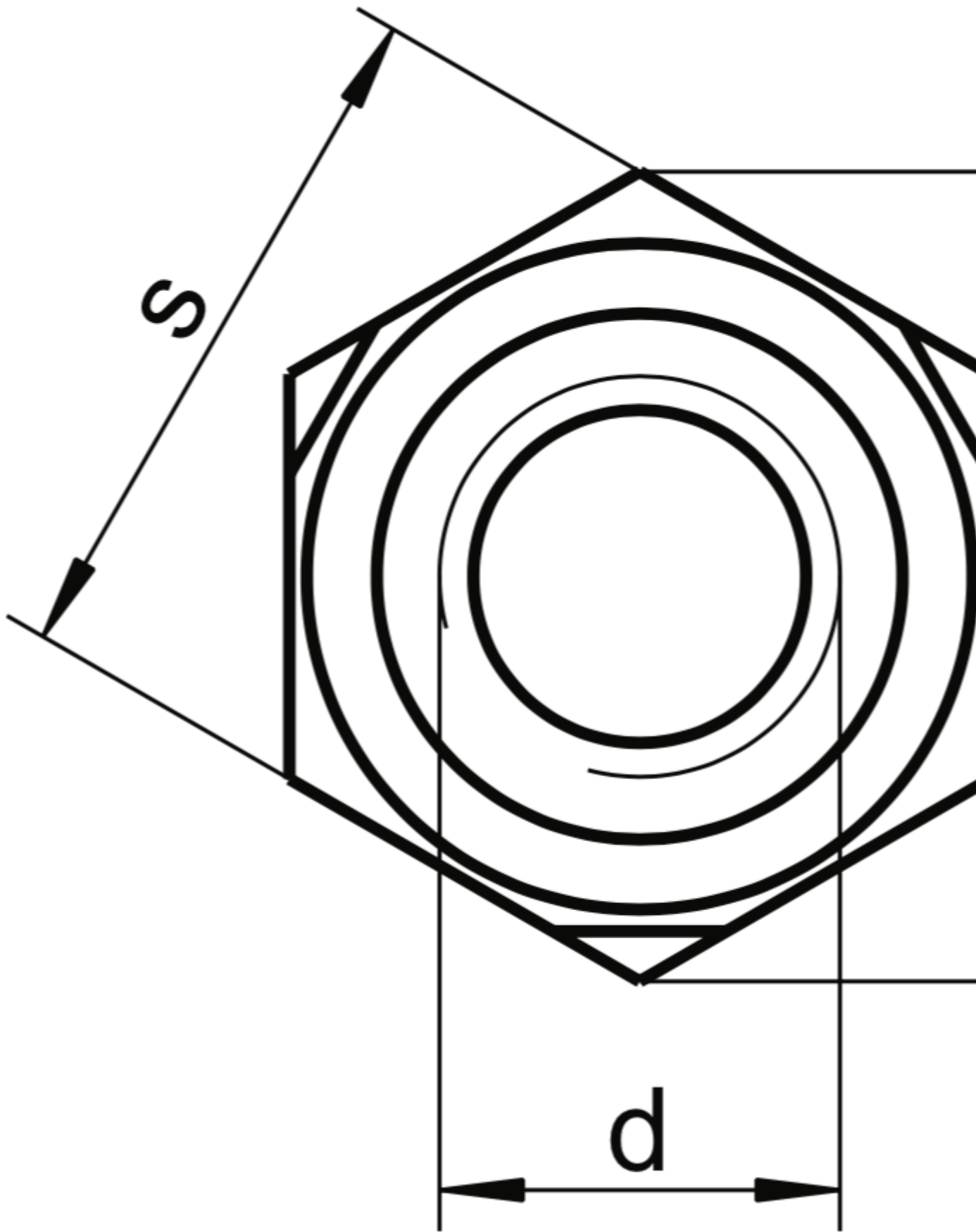




Hexagon nut DIN-929

Stainless steel weldable hexagonal nut. DIN-929

Stainless steel grades A, A-2, A-4 and others upon request.



| AISI | A | DIN EN | DESIGNACION
| 304 | A2 | 1.4301 | X5CrNi 18-10
| 316 | A4 | 1.4401 | X5CrNiMo 17-12-2

