

Butterfly Valve-Wafer (Art. 109)

Characteristics:

BUTTERFLY VALVE, WAFER TYPE

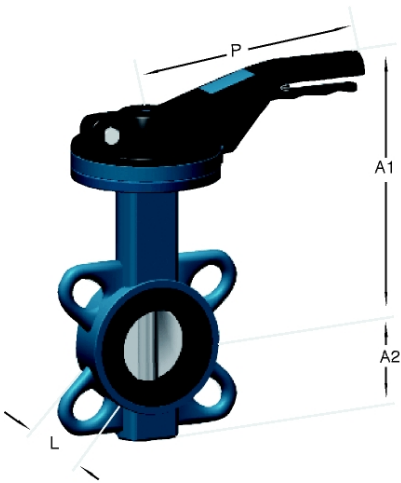
PN-10/16;ANSI 150 LBS. MANUAL CONTROL. CAST IRON BODY.

+EPOXY STAINLESS STEEL DISC. AISI 316. EPDM ELASTOMER.

BRONZE BUSHINGS. NBR SHAFT O-RINGS. ACTUATOR MOUNTING FLANGE

S/ISO 5211. CAST LEVER UP TO 12?"

MANUAL FROM 14". MAX. TEMP.95°C.



Technical information

Medida	L	A1	A2	D	P	Peso
2"	42	134	66	77	260	4.2
2 1/2"	44	152	76	77	260	4.8
3"	45	172	93	77	260	5.55
4"	49	184	112	92	274	6.8
5"	53	200	122	92	270	8.75
6"	54	207	140	92	270	11.15
8"	58	243	172	125	355	16.6
10"	68	294	203	125	435	23.45
12"	78	344	231	140	435	44.5
14"	80	413	267	125	300	61
16"	90	451	309	150	300	82
18"	109	473	328	150	300	136
20"	156	529	360	175	300	163