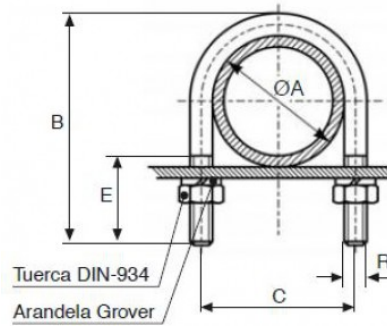
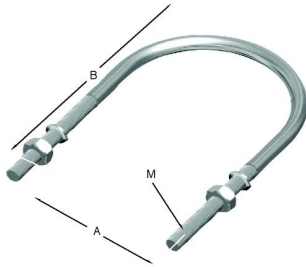


## U-Bolts

Stainless steel U-bolts made of A-304 stainless steel with DIN-934 nuts and DIN-127 grover washer.



### Technical information

Código	Dimensiones						Peso
	DN	A	B	C	R	E	
180112002	3/8"	18	50	24	M6	35	0.025
180112003	1/2"	22	53	28	M6	35	0.027
180112004	3/4"	28	59	34	M6	35	0.031
180112005	1"	34	65	40	M6	35	0.034
1801120060	Ø 38	39	70	42	M6	35	0.037
180112006	1.1/4"	43	74	49	M6	35	0.039
180112007	1.1/2"	49	85	57	M8	40	0.08
1801120080	Ø 54	54	97	62	M8	40	0.091
180112008	2"	61	99	70	M8	40	0.094
1801120090	Ø 65	66	99	73	M8	40	0.095
1801120091	Ø 70	71	102	78	M8	40	0.098
180112009	2 1/2"	77	113	83	M8	40	0.109
1801120100	Ø 84	85	117	94	M8	40	0.113
180112010	3"	90	126	98	M8	40	0.122
1801120120	Ø 104	105	149	114	M10	40	0.224
180112012	4"	115	155	125	M10	40	0.235
1801120130	Ø 129	130	177	140	M10	40	0.259
180112013	5"	144	184	154	M10	40	0.281
1801120140	Ø 154	155	194	164	M10	40	0.297
180112014	6"	170	210	180	M10	40	0.323

1801120150	Ø 204	206	244	214	M10	40	0.377
180112015	8"	221	259	230	M10	40	0.401
1801120160	Ø 254	256	294	264	M10	40	0.456
1801120161	10"	275	313	314	M10	40	0.487
1801120170	Ø 304	306	344	364	M10	50	0.536
1801120180	Ø 354	356	407		M10	50	0.627