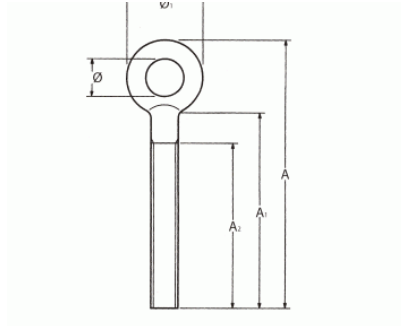


Eyebolt for tensioner

An eyebolt is a lifting tool, it is made up of a thread and an eyelet, the thread fits into the component to be lifted and its diameter determines the load capacity of the eyebolt.



Technical information

Dimensiones					
Medida	Ø	Ø1	A2	A1	A
M6	10	19	60	65	84
M8	11	22	55	60	82
M10	13	25.5	60	63	88.5
M12	15.8	32	66	70	102