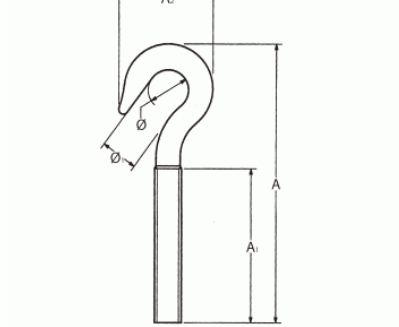


## Hook tensioner

Indicated for mounting on DIN 1480 or DIN 1478 tensioning body and recommended for applications where the end to be fixed is a ring.



### Technical information

Dimensiones					
Medida	Ø	Ø1	A2	A1	A
M6	9.5	8	22.5	50	77
M6	9.5	8	22.5	55	82
M8	11	10	30	55	93
M10	14	12.5	36	60	103.5
M12	18	16	47	66	122