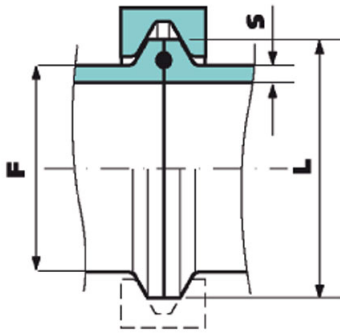


## Clamp Norms Equivalence Table

**Clamp Standards Equivalence Table** created to define the correspondences in DN between the different standards used in the food industry:

- CLAMP "BS 4825" BWG/SWG Imperial Tube
- CLAMP "ISO 2852" ISO 1127 Tube
- CLAMP "DIN 32676" Tube \_DIN-11850/1



### Technical information

	CLAMP "BS 4825"				CLAMP "ISO 2852"				CLAMP "DIN 32676"			
	Tubo BWG/SWG Imperial				Tubo ISO 1127				Tubo _DIN-11850/1			
Ø Corona	DN/Inch	L Ø Corona	F Ø Tubo	S Espesor	DN	L Ø Corona	F Ø Tubo	S Espesor	DN	L Ø Corona	F Ø Tubo	S Espesor
25.1	1/2"	25.1	12.7	1.65								
	3/4"	25.1	19.05	1.65								
<b>34</b>					<b>10</b>	<b>34</b>	<b>17.2</b>	<b>1.6</b>	<b>10</b>	<b>34</b>	<b>12</b>	<b>1.5</b>
					<b>15</b>	<b>34</b>	<b>21.3</b>	<b>1.6</b>	<b>15</b>	<b>34</b>	<b>18</b>	<b>1.5</b>
									<b>20</b>	<b>34</b>	<b>22</b>	<b>1.5</b>
50.4	1"	50.4	25.4	1.65	20	50.4	26.9	1.6	25	50.4	28	1.5
	1 1/2"	50.4	38.1	1.65	25	50.4	33.7	1.6	32	50.4	34	1.5
					32	50.4	42.4	1.6	40	50.4	40	1.5
<b>64</b>	<b>2"</b>	<b>64</b>	<b>50.8</b>	<b>1.65</b>	<b>40</b>	<b>64</b>	<b>48.3</b>	<b>1.6</b>	<b>50</b>	<b>64</b>	<b>52</b>	<b>1.5</b>
77.4	2 1/2"	77.4	63.5	1.65	50	77.4	60.3	2				

