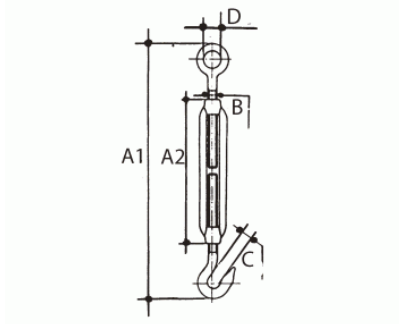


Turnbuckle with an eyebolt and a hook

made of AISI-316 stainless steel



Technical information

Dimensiones					
Medida	B	C	Ø	A1	A2
M 5	5	9	8	70	110-170
M 6	6	10	10	90	140-220
M 8	8	11	14	120	180-280
M 10	10	12	16	150	230-460
M 12	12	14	18	200	280-460
M 16	16	16	26	250	370-590
M 20	20	18	30	300	420-650