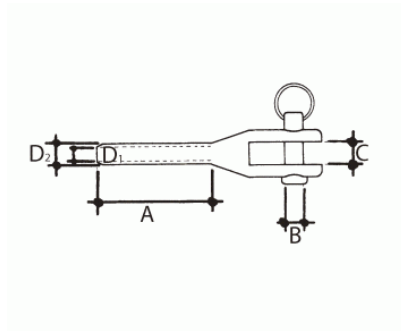
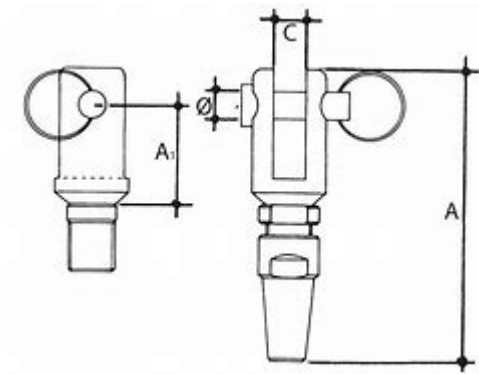


## Terminal with fork in AISI-316 stainless steel



### Technical information

Dimensiones						
Medida Cable	Ø1	Ø2	A	B	C	Peso
3	3.2	6.3	40	5	6	0.03
4	4.2	7.5	50	6	8	0.048
5	5.2	9.1	60	8	10	0.084
6	6.2	12.5	70	9	12	0.179
7	7.2	14.3	80	9	12	0.178
8	8.2	16.1	100	9	12	0.21
10	10.5	17.8	110	10	14	0.33
12	12.5	21.4	140	11	16	0.4