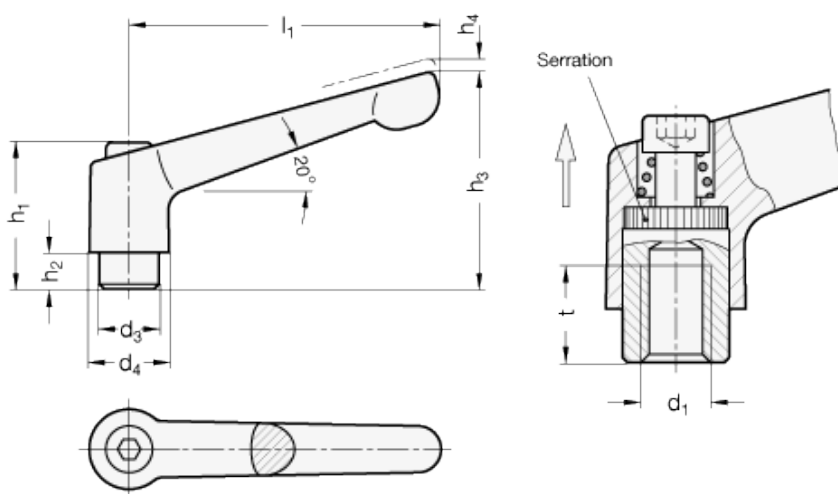


GN 300.1

Adjustable handles



INOX
Stainless Steel



technical informations

Lever body

Zinc alloy die-cast, epoxy resin coating.

Colour

- RAL 9005 black matte finish SW
- RAL 2004 orange OS
- RAL 3000 red textured finish RS
- RAL 9006 silver SR
- RAL 9011 graphite black SZ
- chromium-plated, uncoated RH

Clamping element

AISI 303 stainless steel with threaded hole and toothed element for coupling to the lever body, stainless steel retaining screw and return spring.

Special executions on request (For sufficient quantities)

- Lever body in different colours.

- Chrome-plated lever.
- Clamping element with different threadings and lengths.

Features and applications

Particularly suitable when the lever turning angle is limited owing to lack of space. AISI 303 stainless steel, thanks to its high resistance to corrosion, allows the application of these adjustable handles on machines and equipment in those sectors where laws or particular hygienic, climatic and environmental factors make it mandatory to use corrosion resistant materials.

Instructions of use

For clamping, lift the lever to disengage the clamping device toothing and bring it back to start position. By releasing the lever, the return spring automatically engages the toothing. If the lever cannot make a 360° rotation, the clamping element can be easily screwed by means of the hexagon socket front head screw (after having disengaged the lever).

SW RAL 9005 OS RAL 2004 RS RAL 3000 SR RAL 9006 SZ RAL 9011



Standard Elements	Main dimensions							Mounting hole		Weight
Description	l ₁	d ₃	d ₄	h ₁	h ₂	h ₃	h ₄	d ₁	t _{min.}	g
GN 300.1-30-M3-*	30	10	13	24.5	4	31	3.5	M3	7	26
GN 300.1-30-M4-*	30	10	13	24.5	4	31	3.5	M4	9	25
GN 300.1-30-M5-*	30	10	13	24.5	4	31	3.5	M5	9	24
GN 300.1-30-M6-*	30	10	13	24.5	4	31	3.5	M6	7	24
GN 300.1-45-M4-*	45	10	13	24.5	4	35	3.5	M4	9	35
GN 300.1-45-M5-*	45	10	13	24.5	4	35	3.5	M5	9	35
GN 300.1-45-M6-*	45	10	13	24.5	4	35	3.5	M6	9	33
GN 300.1-63-M6-*	63	13.5	17.5	31	6.5	45	4	M6	11	76
GN 300.1-63-M8-*	63	13.5	17.5	31	6.5	45	4	M8	11	74
GN 300.1-78-M8-*	78	16	21	36	8	55	4	M8	14	123
GN 300.1-78-M10-*	78	16	21	36	8	55	4	M10	14	119
GN 300.1-92-M10-*	92	19	24	43	11	65	4	M10	17	184
GN 300.1-92-M12-*	92	19	24	43	11	65	4	M12	17	178
GN 300.1-108-M12-*	108	23	30	50.5	12	76	5	M12	22	306
GN 300.1-108-M16-*	108	23	30	50.5	12	76	5	M16	22	289

* Complete the description of the standard item needed by adding the index of the colour of the lever body: SW (black), OS (orange), RS (red textured finish), SR (silver), SZ (graphite black), CR (chrome-plated), RH (uncoated).

This product had the following design awards:

