

ERZ.SST-p

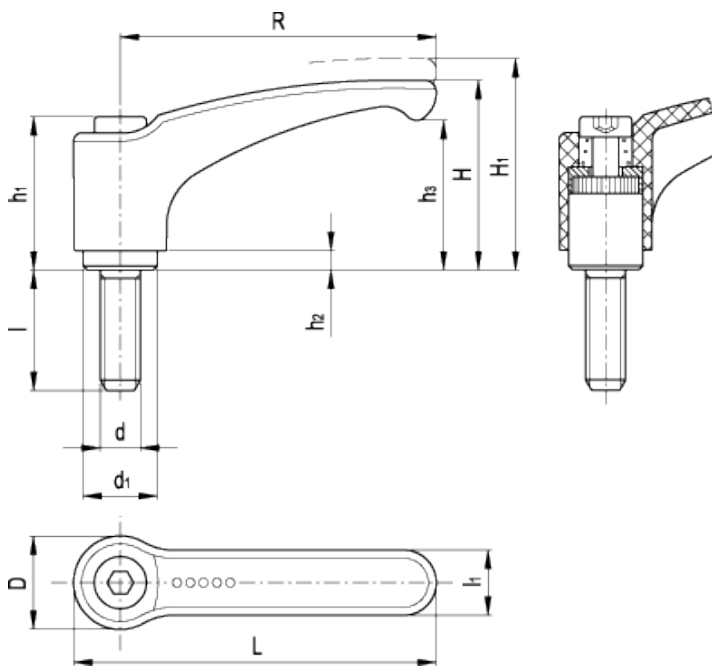
Adjustable handles



ELESA Original design

INOX
Stainless Steel

ERGOSTYLE®



technical informations

Lever body

Glass-fibre reinforced polyamide based (PA) technopolymer. Resistant to solvents, oils, greases and other chemical agents. Built-in zinc alloy toothed insert for coupling to the metal clamping element.

Colour

Grey-black, matte finish.

Clamping element

AISI 303 stainless steel with toothed element for coupling to the built-in zinc alloy insert, AISI 303 stainless steel retaining screw and return spring.

Special executions on request (For sufficient quantities)

Lever body in orange colour.

Features and applications

Particularly suitable when the lever turning angle is limited owing to lack of space.

The metal tothing of the built-in zinc alloy insert allows the assembly of clamping elements completely made out of metal, which can be easily modified by machining in case of special assembly requirements.

AISI 303 stainless steel, thanks to its high resistance to corrosion, allows the application of these adjustable handles on machines and equipment in those sectors where laws or particular hygienic, climatic and environmental factors make it mandatory to use corrosion resistant materials.

Instructions of use

For clamping, lift the lever to disengage the clamping device tothing and bring it back to start position. By releasing the lever, the return spring automatically engages the tothing.

If the lever cannot make a 360° rotation, the clamping element can be easily screwed by means of the hexagon socket front head screw (after having disengaged the lever).

Ergonomy and design

The slightly arched shape of the lever and the ergonomic terminal enlargement give the operator a comfortable and safe grip and make the design of the handle more elegant.

The design of the lever body of this series is exactly like the design of ERX.SST-p adjustable levers, which has been awarded by the following jurys for Industrial Design: Die Gute Industrieform Hannover 1995, Internationaler Designpreis des Landes Baden-Württemberg 1996/97.

Standard Elements	Main dimensions	Thread	Teeth no.	Weight
-------------------	-----------------	--------	-----------	--------

Code	Description	R	L	D	H	H ₁	h ₁	h ₂	h ₃	d ₁	l ₁	d	l	z	g
239233	ERZ.44 SST-p-M5x12	44	52	15.5	30.5	34	24.5	3.5	22.5	10	11	M5	12	18	17
239235	ERZ.44 SST-p-M5x16	44	52	15.5	30.5	34	24.5	3.5	22.5	10	11	M5	16	18	18
239237	ERZ.44 SST-p-M5x20	44	52	15.5	30.5	34	24.5	3.5	22.5	10	11	M5	20	18	19
239239	ERZ.44 SST-p-M5x25	44	52	15.5	30.5	34	24.5	3.5	22.5	10	11	M5	25	18	20
239241	ERZ.44 SST-p-M5x32	44	52	15.5	30.5	34	24.5	3.5	22.5	10	11	M5	32	18	21
239243	ERZ.44 SST-p-M5x40	44	52	15.5	30.5	34	24.5	3.5	22.5	10	11	M5	40	18	22
239245	ERZ.44 SST-p-M5x50	44	52	15.5	30.5	34	24.5	3.5	22.5	10	11	M5	50	18	23
239253	ERZ.44 SST-p-M6x12	44	52	15.5	30.5	34	24.5	3.5	22.5	10	11	M6	12	18	19
239255	ERZ.44 SST-p-M6x16	44	52	15.5	30.5	34	24.5	3.5	22.5	10	11	M6	16	18	20
239257	ERZ.44 SST-p-M6x20	44	52	15.5	30.5	34	24.5	3.5	22.5	10	11	M6	20	18	21
239259	ERZ.44 SST-p-M6x25	44	52	15.5	30.5	34	24.5	3.5	22.5	10	11	M6	25	18	22
239423	ERZ.44 SST-p-M6x32	44	52	15.5	30.5	34	24.5	3.5	22.5	10	11	M6	32	18	23
239425	ERZ.44 SST-p-M6x40	44	52	15.5	30.5	34	24.5	3.5	22.5	10	11	M6	40	18	24
239427	ERZ.44 SST-p-M6x50	44	52	15.5	30.5	34	24.5	3.5	22.5	10	11	M6	50	18	27
239429	ERZ.63 SST-p-M6x16	63	73.5	19	38.5	42	31	3.5	30	13.5	13.5	M6	16	24	40
239431	ERZ.63 SST-p-M6x20	63	73.5	19	38.5	42	31	3.5	30	13.5	13.5	M6	20	24	41
239433	ERZ.63 SST-p-M6x25	63	73.5	19	38.5	42	31	3.5	30	13.5	13.5	M6	25	24	42
239435	ERZ.63 SST-p-M6x32	63	73.5	19	38.5	42	31	3.5	30	13.5	13.5	M6	32	24	43
239437	ERZ.63 SST-p-M6x40	63	73.5	19	38.5	42	31	3.5	30	13.5	13.5	M6	40	24	44
239439	ERZ.63 SST-p-M6x50	63	73.5	19	38.5	42	31	3.5	30	13.5	13.5	M6	50	24	46
239441	ERZ.63 SST-p-M6x63	63	73.5	19	38.5	42	31	3.5	30	13.5	13.5	M6	63	24	48
239453	ERZ.63 SST-p-M8x16	63	73.5	19	38.5	42	31	3.5	30	13.5	13.5	M8	16	24	42
239455	ERZ.63 SST-p-M8x20	63	73.5	19	38.5	42	31	3.5	30	13.5	13.5	M8	20	24	46
239457	ERZ.63 SST-p-M8x25	63	73.5	19	38.5	42	31	3.5	30	13.5	13.5	M8	25	24	48
239459	ERZ.63 SST-p-M8x32	63	73.5	19	38.5	42	31	3.5	30	13.5	13.5	M8	32	24	50
239643	ERZ.63 SST-p-M8x40	63	73.5	19	38.5	42	31	3.5	30	13.5	13.5	M8	40	24	52
239645	ERZ.63 SST-p-M8x50	63	73.5	19	38.5	42	31	3.5	30	13.5	13.5	M8	50	24	54
239647	ERZ.63 SST-p-M8x63	63	73.5	19	38.5	42	31	3.5	30	13.5	13.5	M8	63	24	58
239673	ERZ.78 SST-p-M8x20	78	90.5	23	45	50.5	36	3.5	35	16	16	M8	20	26	69
239675	ERZ.78 SST-p-M8x25	78	90.5	23	45	50.5	36	3.5	35	16	16	M8	25	26	72
239677	ERZ.78 SST-p-M8x32	78	90.5	23	45	50.5	36	3.5	35	16	16	M8	32	26	76
239679	ERZ.78 SST-p-M8x40	78	90.5	23	45	50.5	36	3.5	35	16	16	M8	40	26	80
239681	ERZ.78 SST-p-M8x50	78	90.5	23	45	50.5	36	3.5	35	16	16	M8	50	26	84
239683	ERZ.78 SST-p-M8x63	78	90.5	23	45	50.5	36	3.5	35	16	16	M8	63	26	89
239685	ERZ.78 SST-p-M8x80	78	90.5	23	45	50.5	36	3.5	35	16	16	M8	80	26	97
239653	ERZ.78 SST-p-M10x20	78	90.5	23	45	50.5	36	3.5	35	16	16	M10	20	26	73
239655	ERZ.78 SST-p-M10x25	78	90.5	23	45	50.5	36	3.5	35	16	16	M10	25	26	76
239657	ERZ.78 SST-p-M10x32	78	90.5	23	45	50.5	36	3.5	35	16	16	M10	32	26	80
239659	ERZ.78 SST-p-M10x40	78	90.5	23	45	50.5	36	3.5	35	16	16	M10	40	26	84
239661	ERZ.78 SST-p-M10x50	78	90.5	23	45	50.5	36	3.5	35	16	16	M10	50	26	88
239663	ERZ.78 SST-p-M10x63	78	90.5	23	45	50.5	36	3.5	35	16	16	M10	63	26	94
239665	ERZ.78 SST-p-M10x80	78	90.5	23	45	50.5	36	3.5	35	16	16	M10	80	26	102
239823	ERZ.95 SST-p-M10x20	95	109	26.5	56.5	61.5	43	5	45	19	18	M10	20	28	113
239825	ERZ.95 SST-p-M10x25	95	109	26.5	56.5	61.5	43	5	45	19	18	M10	25	28	115

239827	ERZ.95 SST-p-M10x32	95	109	26.5	56.5	61.5	43	5	45	19	18	M10	32	28	118
239829	ERZ.95 SST-p-M10x40	95	109	26.5	56.5	61.5	43	5	45	19	18	M10	40	28	121
239831	ERZ.95 SST-p-M10x50	95	109	26.5	56.5	61.5	43	5	45	19	18	M10	50	28	128
239833	ERZ.95 SST-p-M10x63	95	109	26.5	56.5	61.5	43	5	45	19	18	M10	63	28	133
239835	ERZ.95 SST-p-M10x80	95	109	26.5	56.5	61.5	43	5	45	19	18	M10	80	28	141
239849	ERZ.95 SST-p-M12x20	95	109	26.5	56.5	61.5	43	5	45	19	18	M12	20	28	117
239851	ERZ.95 SST-p-M12x25	95	109	26.5	56.5	61.5	43	5	45	19	18	M12	25	28	122
239853	ERZ.95 SST-p-M12x32	95	109	26.5	56.5	61.5	43	5	45	19	18	M12	32	28	125
239855	ERZ.95 SST-p-M12x40	95	109	26.5	56.5	61.5	43	5	45	19	18	M12	40	28	132
239857	ERZ.95 SST-p-M12x50	95	109	26.5	56.5	61.5	43	5	45	19	18	M12	50	28	138
239859	ERZ.95 SST-p-M12x63	95	109	26.5	56.5	61.5	43	5	45	19	18	M12	63	28	148
239861	ERZ.95 SST-p-M12x80	95	109	26.5	56.5	61.5	43	5	45	19	18	M12	80	28	160



ELESA and GANTER models all rights reserved in accordance with the law. Always mention the source when reproducing our drawings.

STANDARD MACHINE ELEMENTS WORLDWIDE